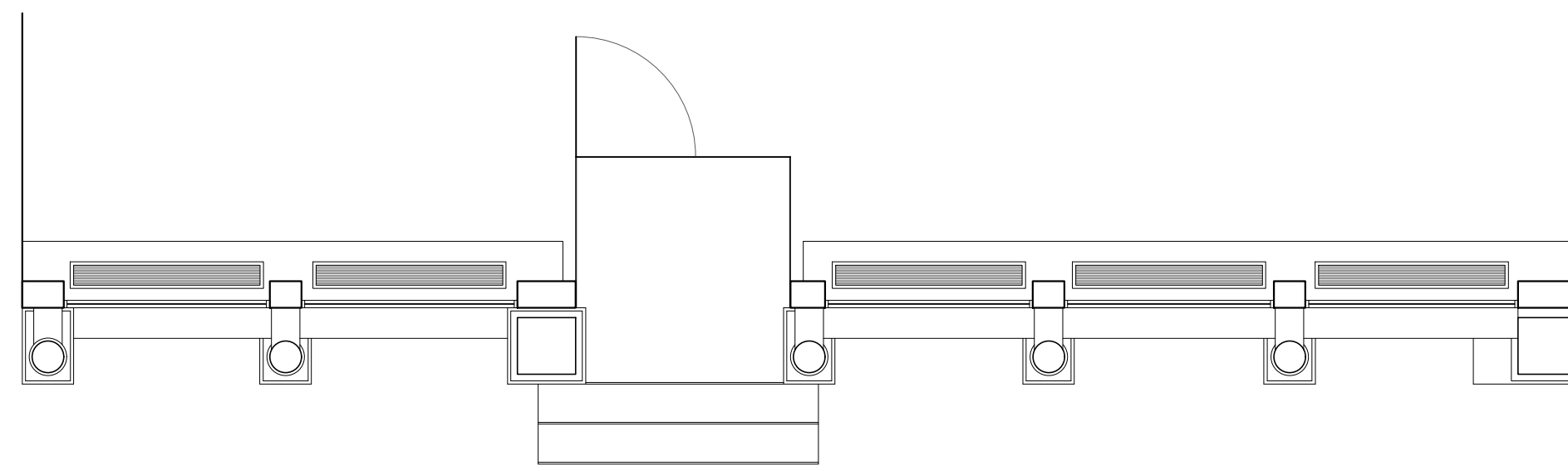


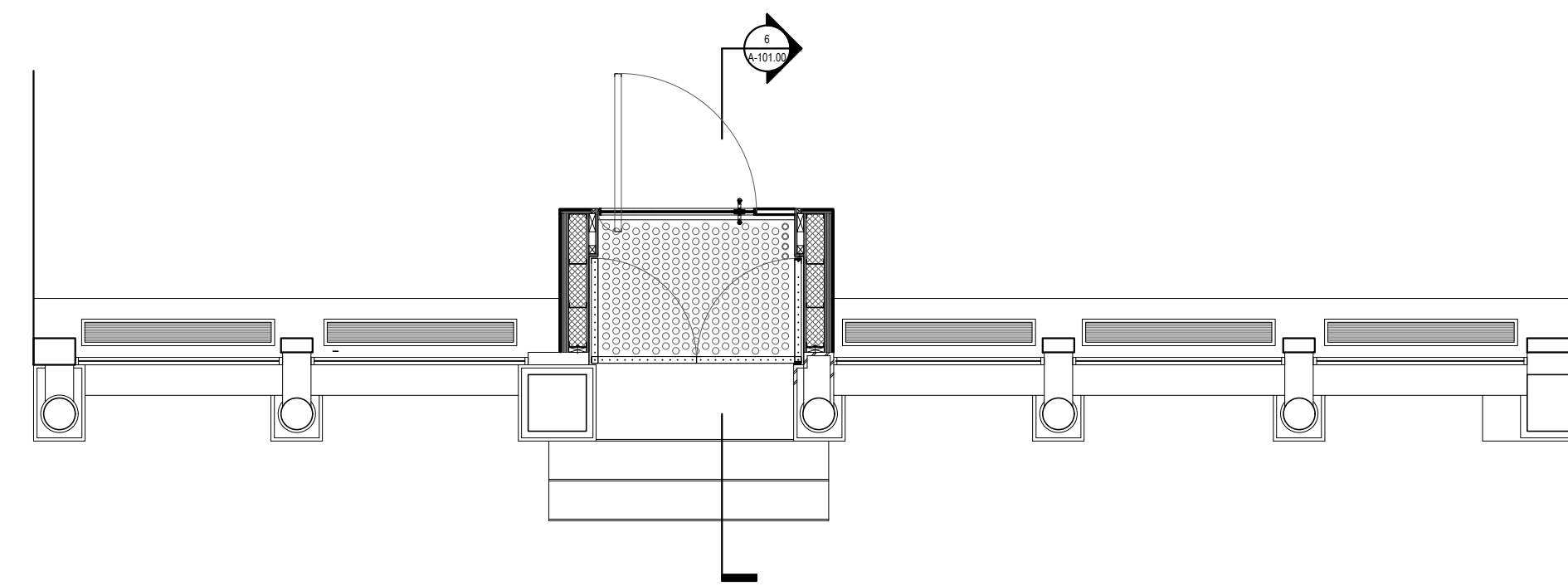
Project  
 SCAVOLINI SHOWROOM  
 429 W Broadway  
 NYC, NY 10012

Architects  
 OGAWA/DEPARDON ARCHITECTS  
 77 Chambers - 2nd Floor  
 New York, NY 10007  
 212.627.7390 / 212.627.9681

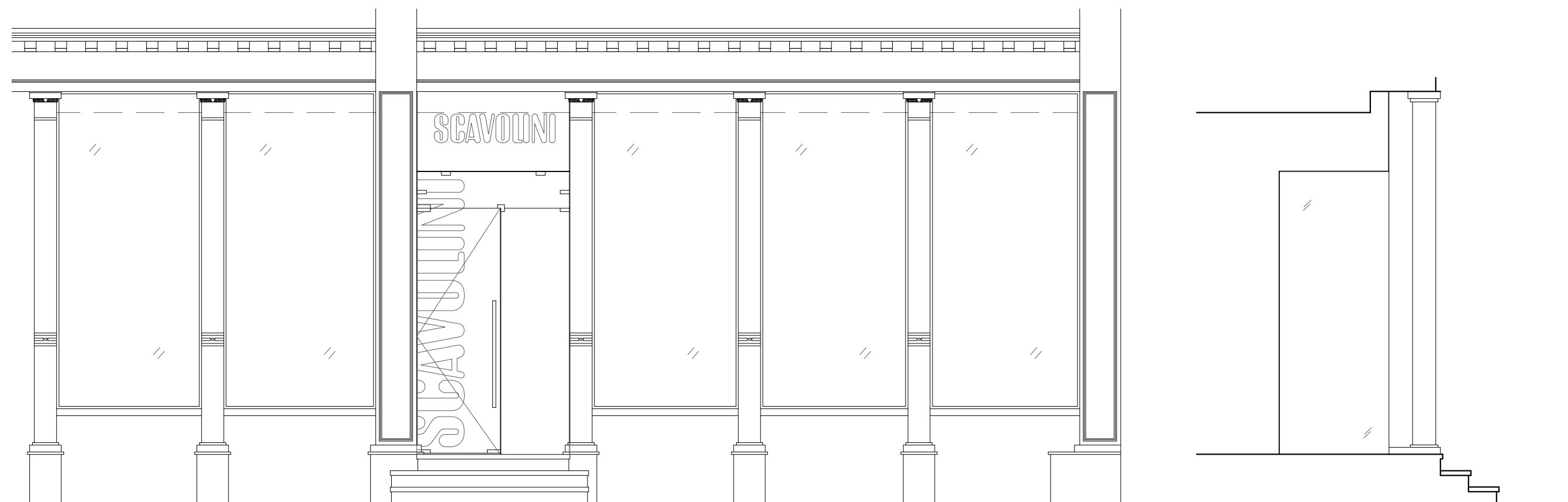
**NOTE:**  
 THIS DRAWING SERVES THE PURPOSE OF  
 DESIGN INTENT ONLY; ALL DIMENSIONS SHALL  
 BE FIELD VERIFIED IN THE FIELD BY THE  
 GENERAL CONTRACTOR OR ITS AGENTS.



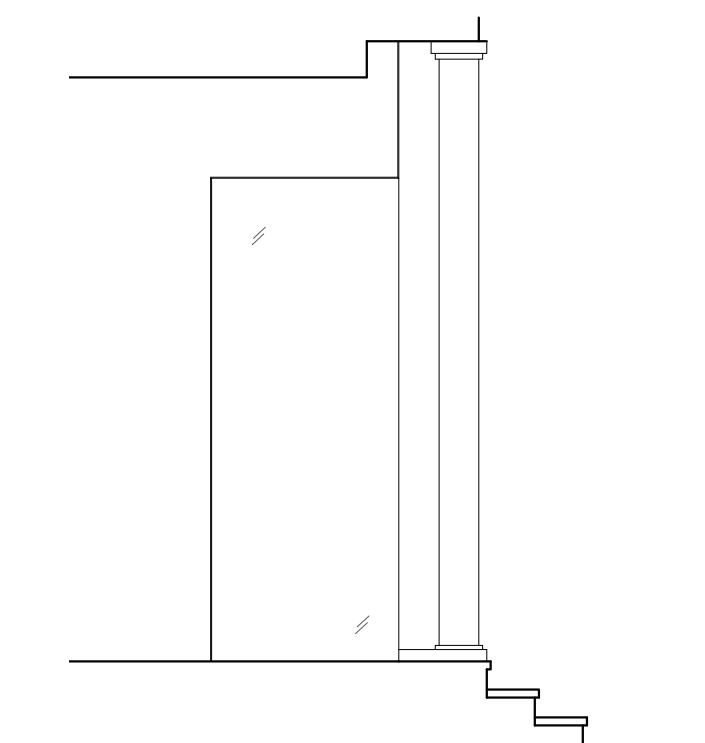
1 EXISTING PLAN  
 1/4" = 1'-0"



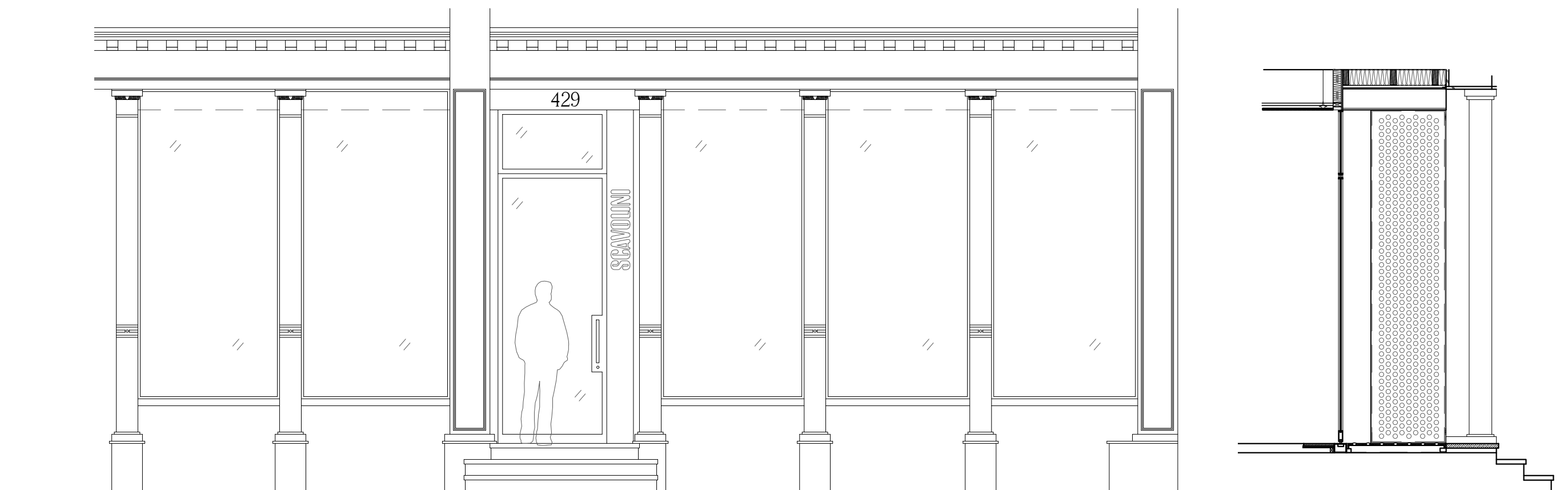
4 PROPOSED PLAN  
 1/4" = 1'-0"



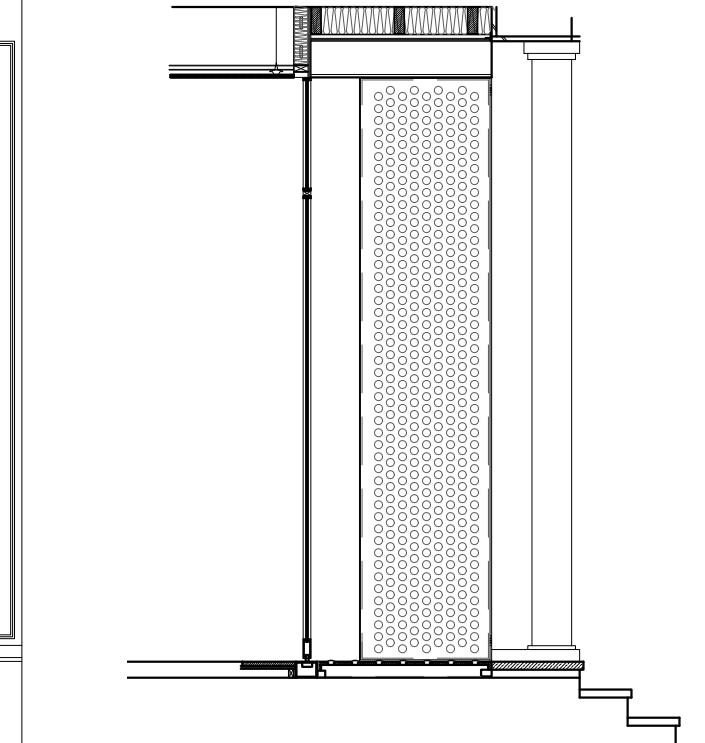
2 EXISTING FRONT ELEVATION  
 1/4" = 1'-0"



3 EXISTING SECTION  
 1/4" = 1'-0"



5 PROPOSED FRONT ELEVATION  
 1/4" = 1'-0"



6 PROPOSED SECTION  
 1/4" = 1'-0"

1. ISSUED FOR REVIEW 2022.06.20

Project:  
 SCAVOLINI SHOWROOM  
 429 W Broadway  
 NYC, NY 10012

EXISTING & PROPOSED  
 PLAN, ELEVATION &  
 SECTION

DATE: 2022.07.08  
 PROJECT No.: 2110  
 SCALE: AS NOTED  
 DRAWING BY: M.K.  
 CHK BY: K.O. & G.D.  
 DWG No:  
**A - 100.00**

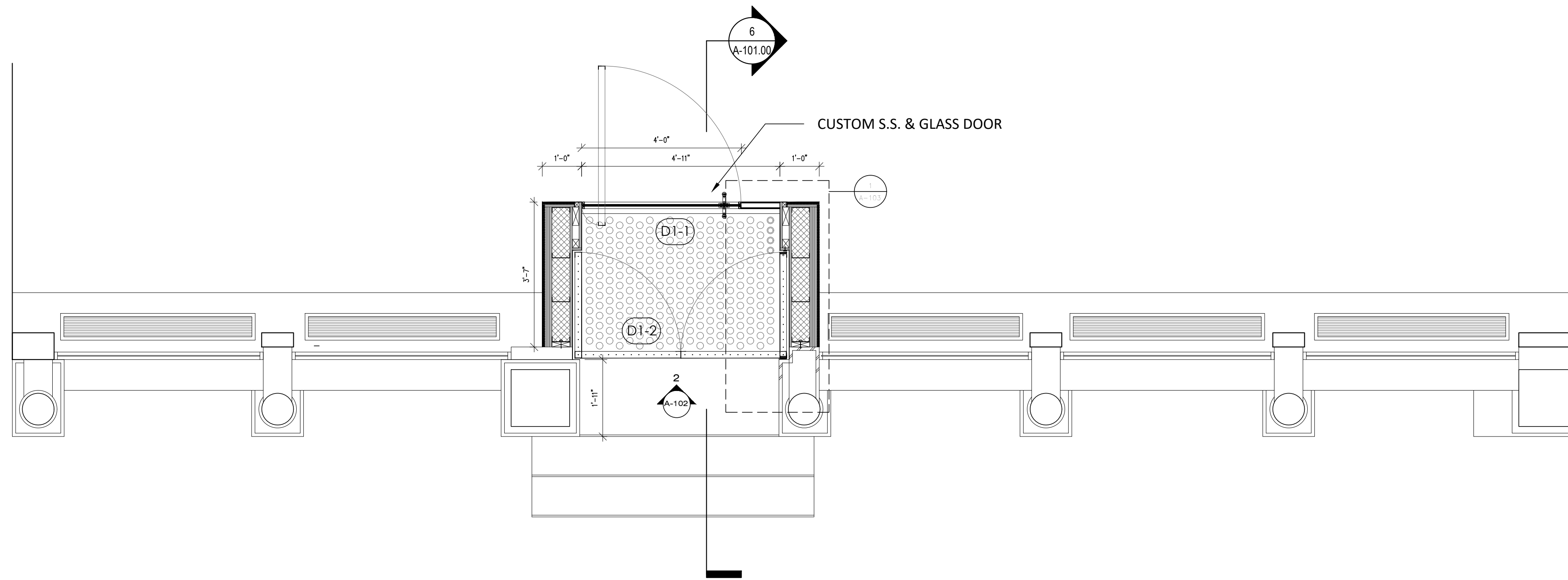
FILE No: Pg. 1 of 7



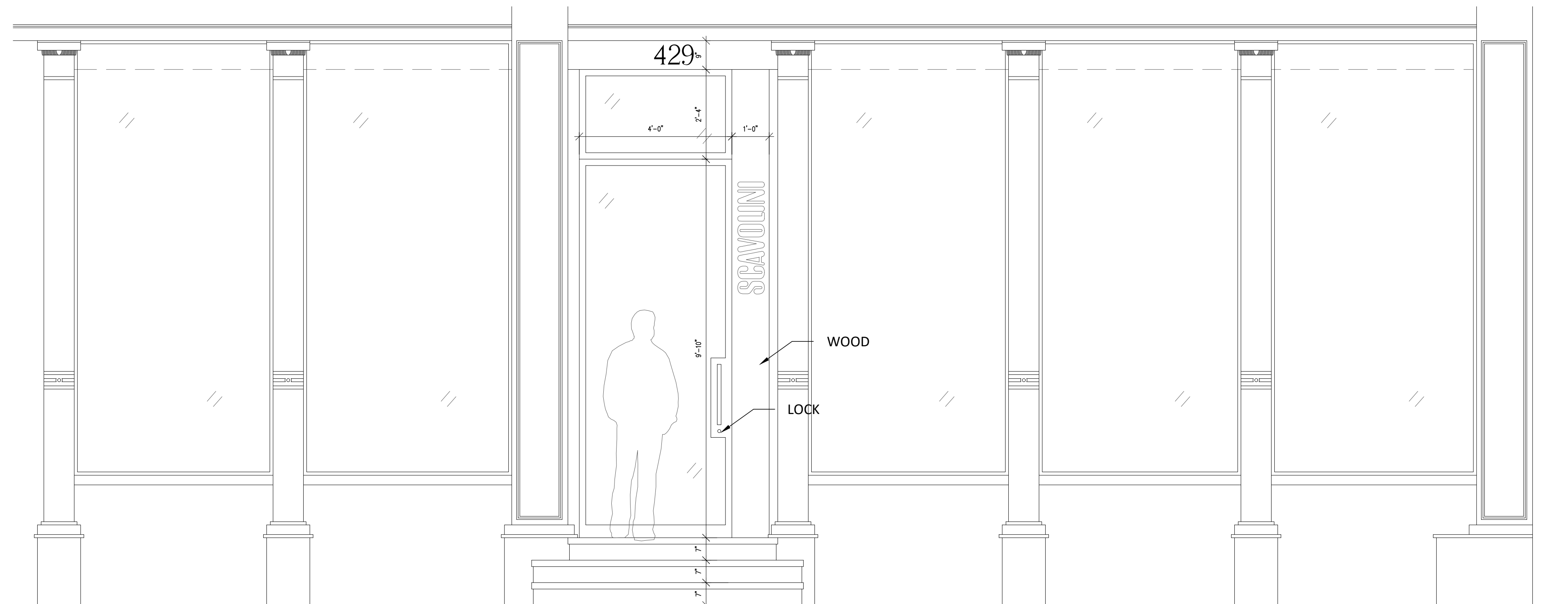
Project  
 SCAVOLINI SHOWROOM  
 429 W Broadway  
 NYC, NY 10012

Architects  
 OGAWA/DEPARDON ARCHITECTS  
 77 Chambers - 2nd Floor  
 New York, NY 10007  
 212.627.7390 / 212.627.9681

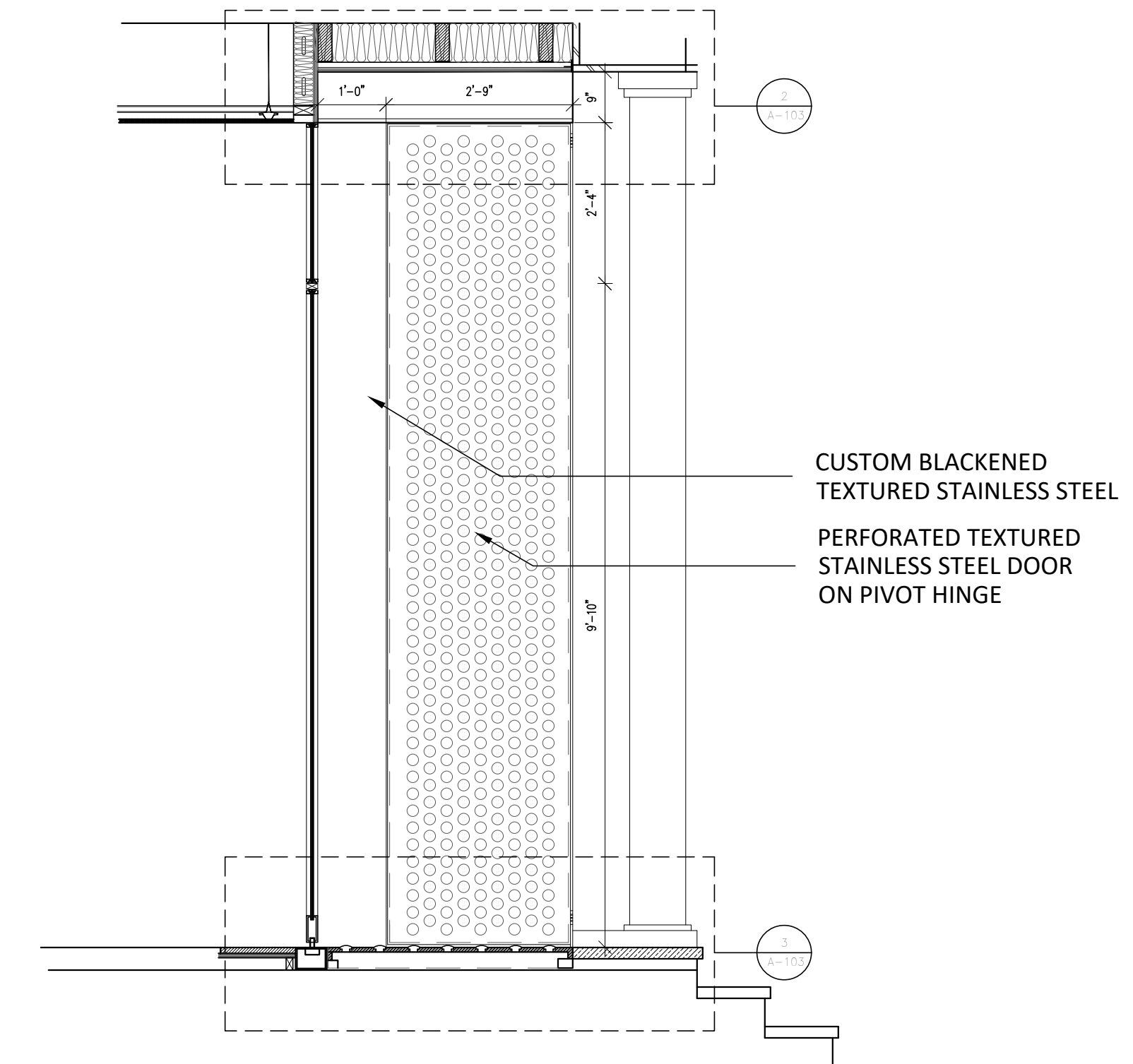
**NOTE:**  
 THIS DRAWING SERVES THE PURPOSE OF  
 DESIGN INTENT ONLY; ALL DIMENSIONS SHALL  
 BE FIELD VERIFIED IN THE FIELD BY THE  
 GENERAL CONTRACTOR OR ITS AGENTS.



**1** PROPOSED PLAN  
 1/2" = 1'-0"



**2** PROPOSED FRONT ELEVATION  
 1/2" = 1'-0"



**3** PROPOSED SECTION  
 1/2" = 1'-0"

1. ISSUED FOR REVIEW 2022.06.20

Project:  
 SCAVOLINI SHOWROOM  
 429 W Broadway  
 NYC, NY 10012

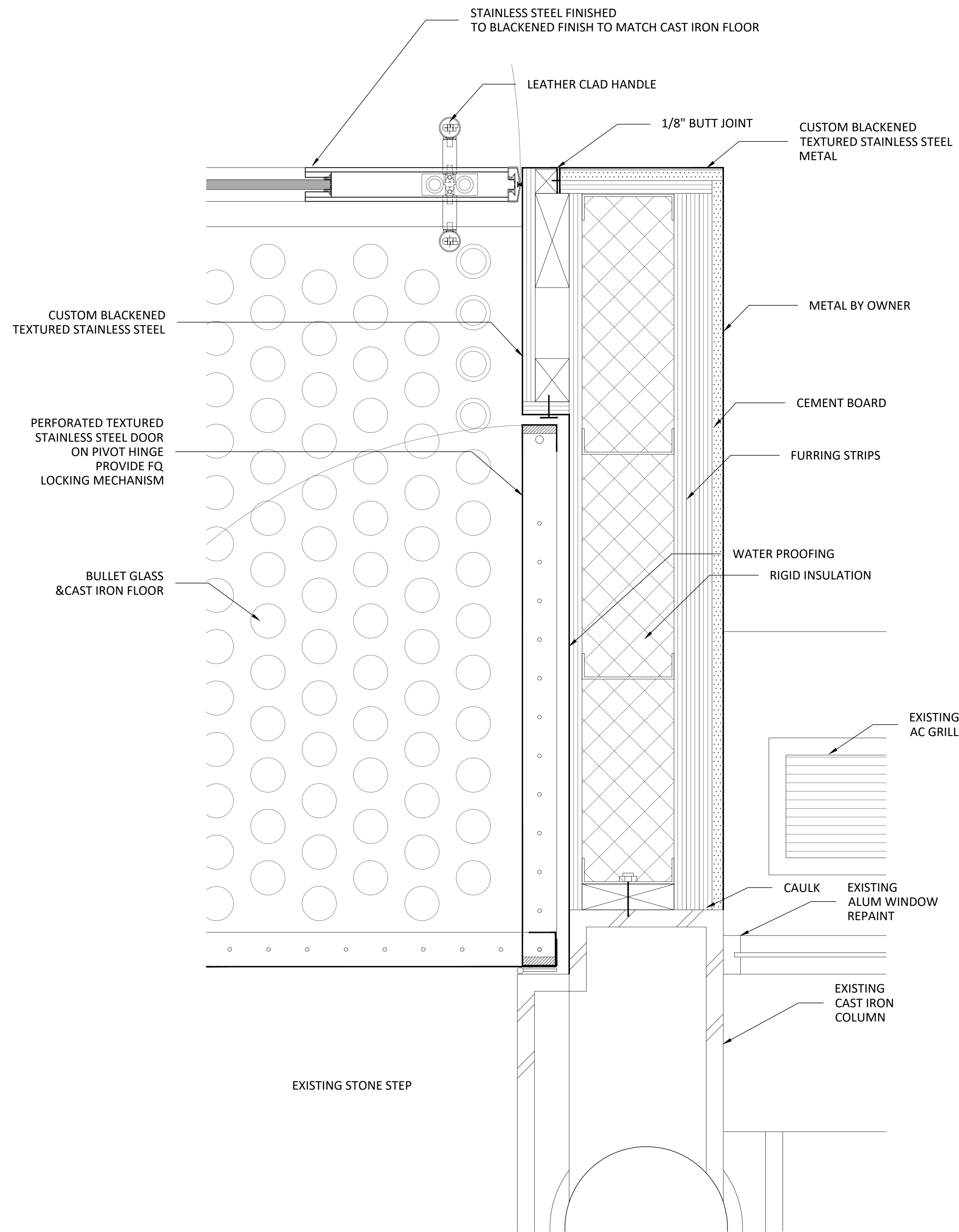
PROPOSED  
 PLAN, ELEVATION &  
 SECTION

DATE: 2022.07.08  
 PROJECT No.: 2110  
 SCALE: AS NOTED  
 DRAWING BY: M.K.  
 CHK BY: K.O. & G.D.  
 DWG No:  
**A - 102.00**  
 FILE No: Pg. 3 of 7

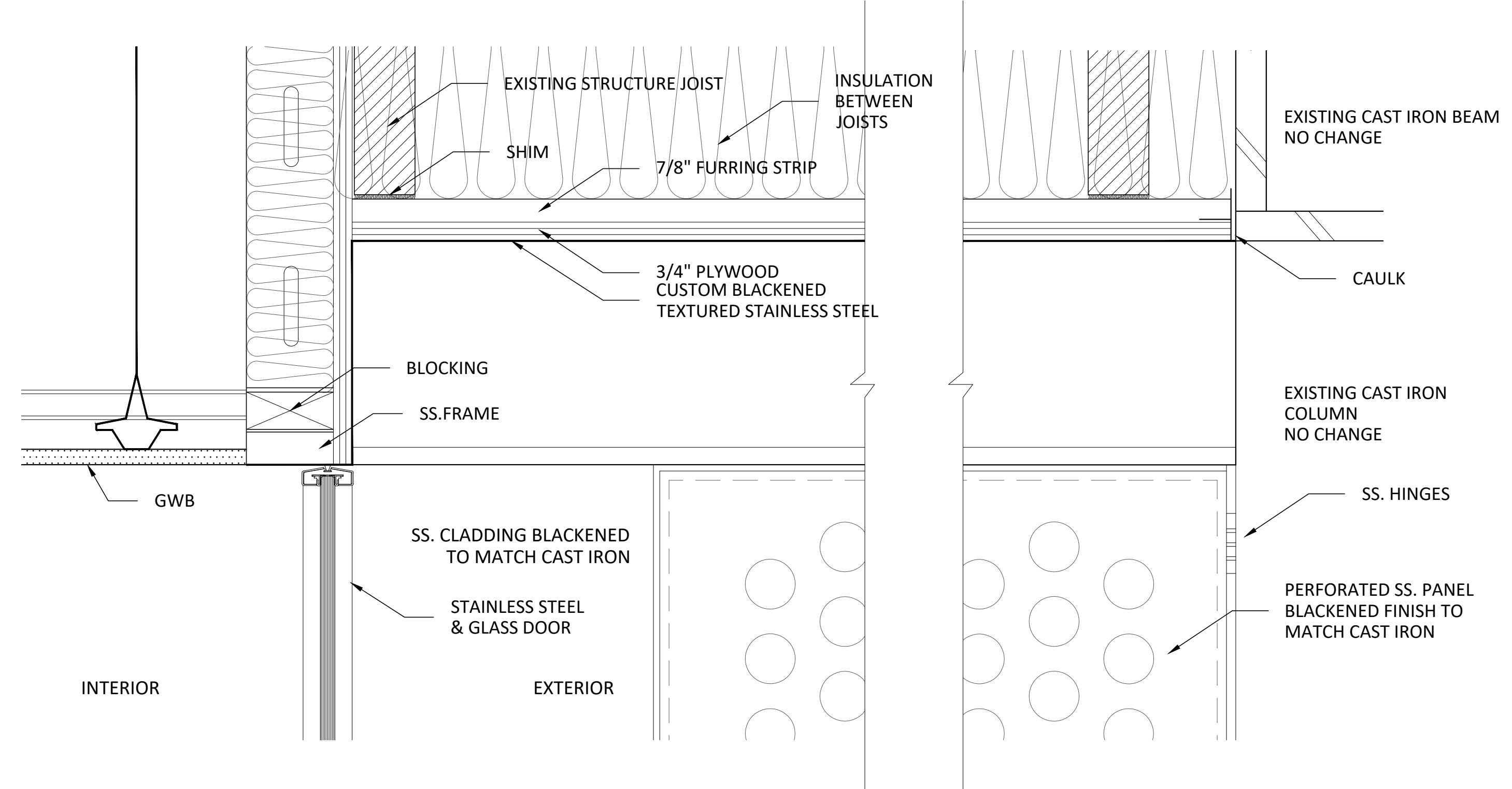
Project  
SCAVOLINI SHOWROOM  
429 W Broadway  
NYC, NY 10012

Architects  
OGAWA/DEPARDON ARCHITECTS  
77 Chambers - 2nd Floor  
New York, NY 10007  
212.627.7390 / 212.627.9681

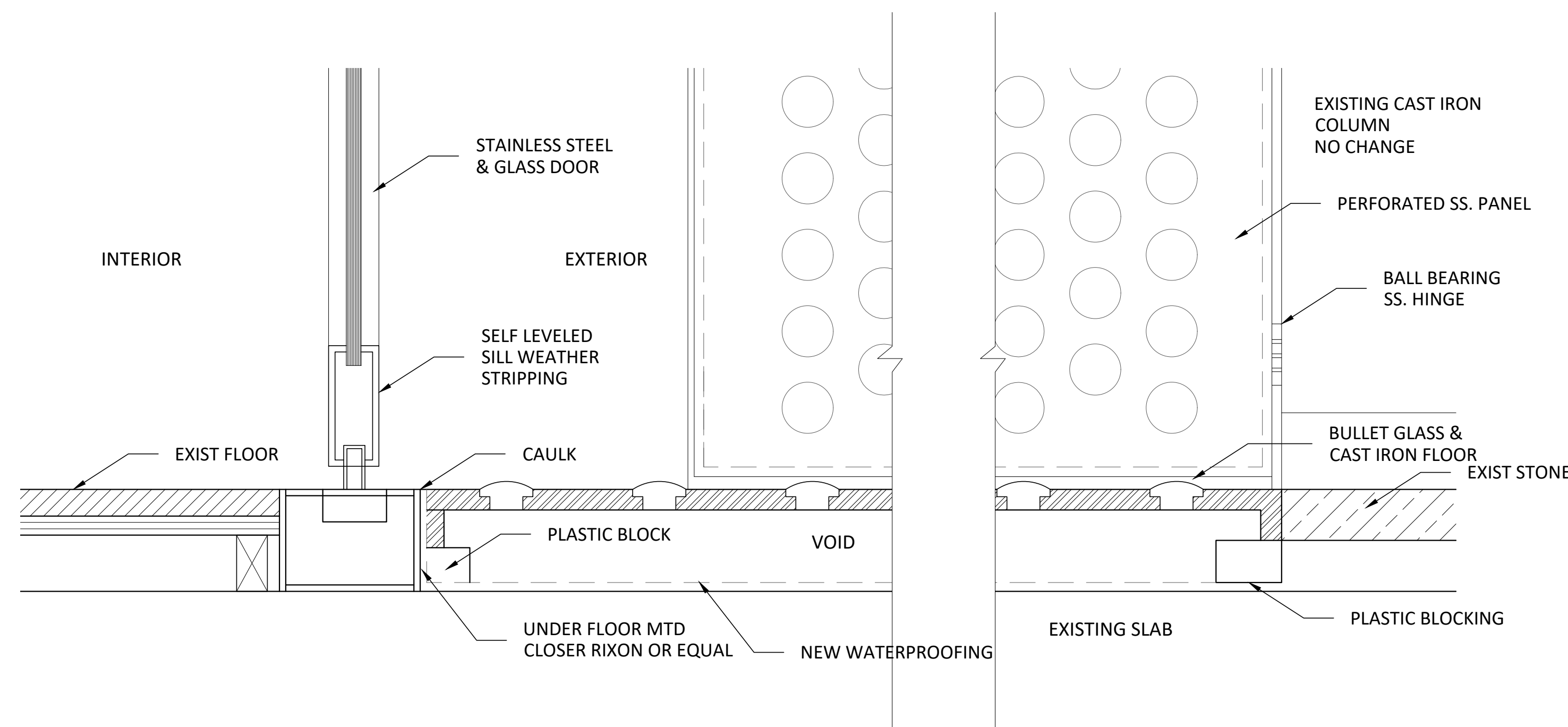
**NOTE:**  
THIS DRAWING SERVES THE PURPOSE OF DESIGN INTENT ONLY; ALL DIMENSIONS SHALL BE FIELD VERIFIED IN THE FIELD BY THE GENERAL CONTRACTOR OR ITS AGENTS.



1 PROPOSED PLAN DETAIL  
3" = 1'-0"



2 PROPOSED SECTION DETAIL  
3" = 1'-0"



1 PROPOSED SECTION DETAIL  
3" = 1'-0"

1. ISSUED FOR REVIEW 2022.06.20

Project:  
SCAVOLINI SHOWROOM  
429 W Broadway  
NYC, NY 10012

PROPOSED  
PLAN DETAIL

DATE: 2022.07.08  
PROJECT No.: 2110  
SCALE: AS NOTED  
DRAWING BY: M.K.  
CHK BY: K.O. & G.D.  
DWG No:  
**A - 103.00**

FILE No: Pg. 4 of 7

429 W Broadway



1 1940 TAX PHOTO

429 W Broadway



2 1940 TAX PHOTO

Project  
SCAVOLINI SHOWROOM  
429 W Broadway  
NYC, NY 10012

Architects  
OGAWA/DEPARDON ARCHITECTS  
77 Chambers - 2nd Floor  
New York, NY 10007  
212.627.7390 / 212.627.9681

**NOTE:**  
THIS DRAWING SERVES THE PURPOSE OF  
DESIGN INTENT ONLY; ALL DIMENSIONS SHALL  
BE FIELD VERIFIED IN THE FIELD BY THE  
GENERAL CONTRACTOR OR ITS AGENTS.

1. ISSUED FOR REVIEW 2022.06.20

Project:  
SCAVOLINI SHOWROOM  
429 W Broadway  
NYC, NY 10012

EXISTING CONDITION  
PHOTOS TAKEN ON  
2022.06.20

DATE: 2022.06.20  
PROJECT No.: 2110  
SCALE: AS NOTED  
DRAWING BY: M.K.  
CHK BY: K.O. & G.D.  
DWG No:  
A - 104.00  
FILE No: Pg. 5 of 7



① 2022.06.20 STREET FACADES



② 2022.06.20 VESTIBULE FRONT VIEW

Project  
SCAVOLINI SHOWROOM  
429 W Broadway  
NYC, NY 10012

Architects  
OGAWA/DEPARDON ARCHITECTS  
77 Chambers - 2nd Floor  
New York, NY 10007  
212.627.7390 / 212.627.9681

**NOTE:**  
THIS DRAWING SERVES THE PURPOSE OF  
DESIGN INTENT ONLY; ALL DIMENSIONS SHALL  
BE FIELD VERIFIED IN THE FIELD BY THE  
GENERAL CONTRACTOR OR ITS AGENTS.

1. ISSUED FOR REVIEW 2022.06.20

Project:  
SCAVOLINI SHOWROOM  
429 W Broadway  
NYC, NY 10012

EXISTING CONDITION  
PHOTOS TAKEN ON  
2022.06.20

DATE: 2022.06.20  
PROJECT No.: 2110  
SCALE: AS NOTED  
DRAWING BY: M.K.  
CHK BY: K.O. & G.D.  
DWG No:  
A - 105.00  
FILE No: Pg. 6 of 7



1 2022.06.20 VESTIBULE SIDE VIEW



2 2022.06.20 VESTIBULE SIDE VIEW

Project  
SCAVOLINI SHOWROOM  
429 W Broadway  
NYC, NY 10012

Architects  
OGAWA/DEPARDON ARCHITECTS  
77 Chambers - 2nd Floor  
New York, NY 10007  
212.627.7390 / 212.627.9681

**NOTE:**  
THIS DRAWING SERVES THE PURPOSE OF  
DESIGN INTENT ONLY. ALL DIMENSIONS SHALL  
BE FIELD VERIFIED IN THE FIELD BY THE  
GENERAL CONTRACTOR OR ITS AGENTS.

1. ISSUED FOR REVIEW 2022.06.20

Project:  
SCAVOLINI SHOWROOM  
429 W Broadway  
NYC, NY 10012

EXISTING CONDITION  
PHOTOS TAKEN ON  
2022.06.20

DATE: 2022.06.20  
PROJECT No.: 2110  
SCALE: AS NOTED  
DRAWING BY: M.K.  
CHK BY: K.O. & G.D.  
DWG No:  
A - 106.00  
FILE No: Pg. 7 of 7

Project  
 SCAVOLINI SHOWROOM  
 429 W Broadway  
 NYC, NY 10012

Architects  
 OGAWA/DEPARDON ARCHITECTS  
 77 Chambers - 2nd Floor  
 New York, NY 10007  
 212.627.7390 / 212.627.9681

**NOTE:**  
 THIS DRAWING SERVES THE PURPOSE OF  
 DESIGN INTENT ONLY; ALL DIMENSIONS SHALL  
 BE FIELD VERIFIED IN THE FIELD BY THE  
 GENERAL CONTRACTOR OR ITS AGENTS.



1 2022.06.28 VESTIBULE SIDE VIEW

2 2022.06.28 VESTIBULE SIDE VIEW

3 2022.06.28 VESTIBULE TOP

1. ISSUED FOR REVIEW 2022.06.20

Project:  
 SCAVOLINI SHOWROOM  
 429 W Broadway  
 NYC, NY 10012

EXISTING CONDITION  
 PHOTOS TAKEN ON  
 2022.06.28

DATE: 2022.06.20  
 PROJECT No.: 2110  
 SCALE: AS NOTED  
 DRAWING BY: M.K.  
 CHK BY: K.O. & G.D.  
 DWG No:  
**A - 107.00**  
 FILE No: Pg. 8 of 7





① PERFORATED CAST IRON DOOR



② BULLET GLASS FLOOR



③ CUSTOM BLACKENED TEXTURED STAINLESS STEEL



④ GLASS PIVOT DOOR



Project  
SCAVOLINI SHOWROOM  
429 W Broadway  
NYC, NY 10012

Architects  
OGAWA/DEPARDON ARCHITECTS  
77 Chambers - 2nd Floor  
New York, NY 10007  
212.627.7390 / 212.627.9681

**NOTE:**  
THIS DRAWING SERVES THE PURPOSE OF  
DESIGN INTENT ONLY; ALL DIMENSIONS SHALL  
BE FIELD VERIFIED IN THE FIELD BY THE  
GENERAL CONTRACTOR OR ITS AGENTS.

1. ISSUED FOR REVIEW 2022.06.20

Project:  
SCAVOLINI SHOWROOM  
429 W Broadway  
NYC, NY 10012

PROPOSED MATERIALS

DATE: 2022.06.20  
PROJECT No.: 2110  
SCALE: AS NOTED  
DRAWING BY: M.K.  
CHK BY: K.O. & G.D.  
DWG No:  
**A - 108.00**  
FILE No: Pg. 9 of 7

Project  
SCAVOLINI SHOWROOM  
429 W Broadway  
NYC, NY 10012

Architects  
OGAWA/DEPARDON ARCHITECTS  
77 Chambers - 2nd Floor  
New York, NY 10007  
212.627.7390 / 212.627.9681

**NOTE:**  
THIS DRAWING SERVES THE PURPOSE OF  
DESIGN INTENT ONLY; ALL DIMENSIONS SHALL  
BE FIELD VERIFIED IN THE FIELD BY THE  
GENERAL CONTRACTOR OR ITS AGENTS.



① 423 W BROADWAY



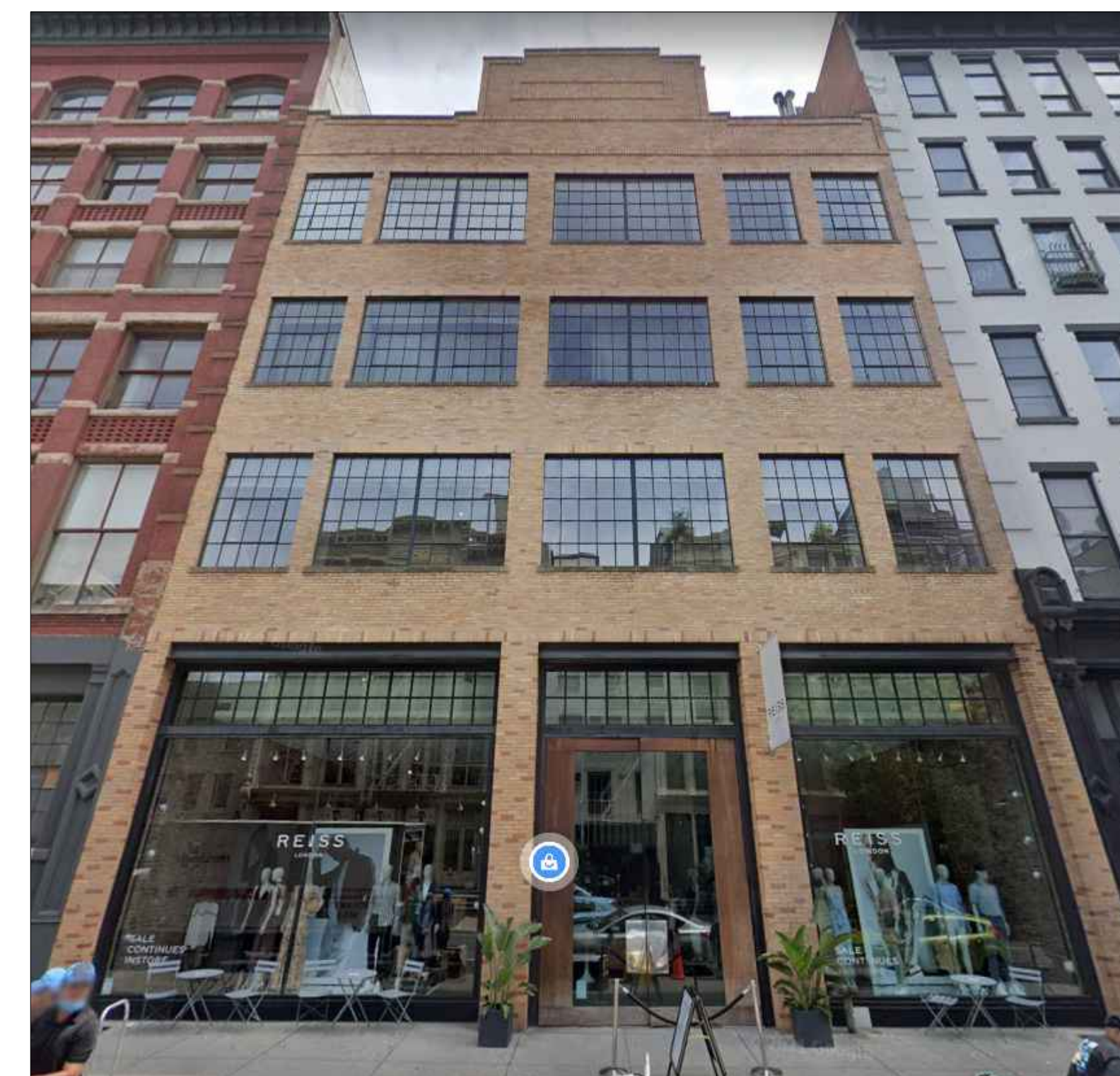
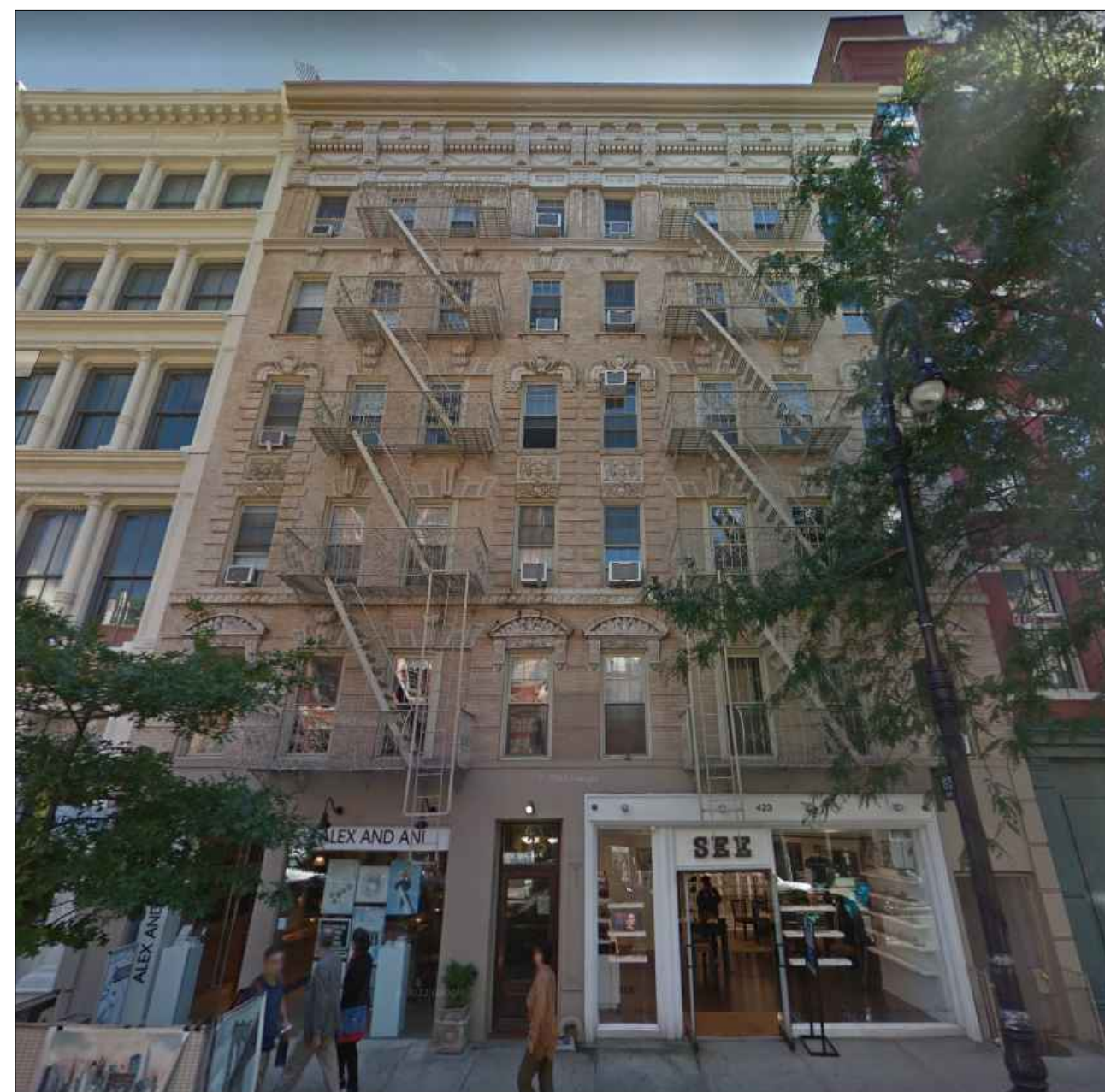
② 386 W BROADWAY



③ 399 W BROADWAY



④ 387 W BROADWAY



1. ISSUED FOR REVIEW 2022.06.20

Project:  
SCAVOLINI SHOWROOM  
429 W Broadway  
NYC, NY 10012

## STOREFRONTS ON W BROADWAY

DATE: 2022.07.11  
PROJECT No.: 2110  
SCALE: AS NOTED  
DRAWING BY: M.K.  
CHK BY: K.O. & G.D.  
DWG No:  
**A - 109.00**

FILE No: Pg.10 of 7